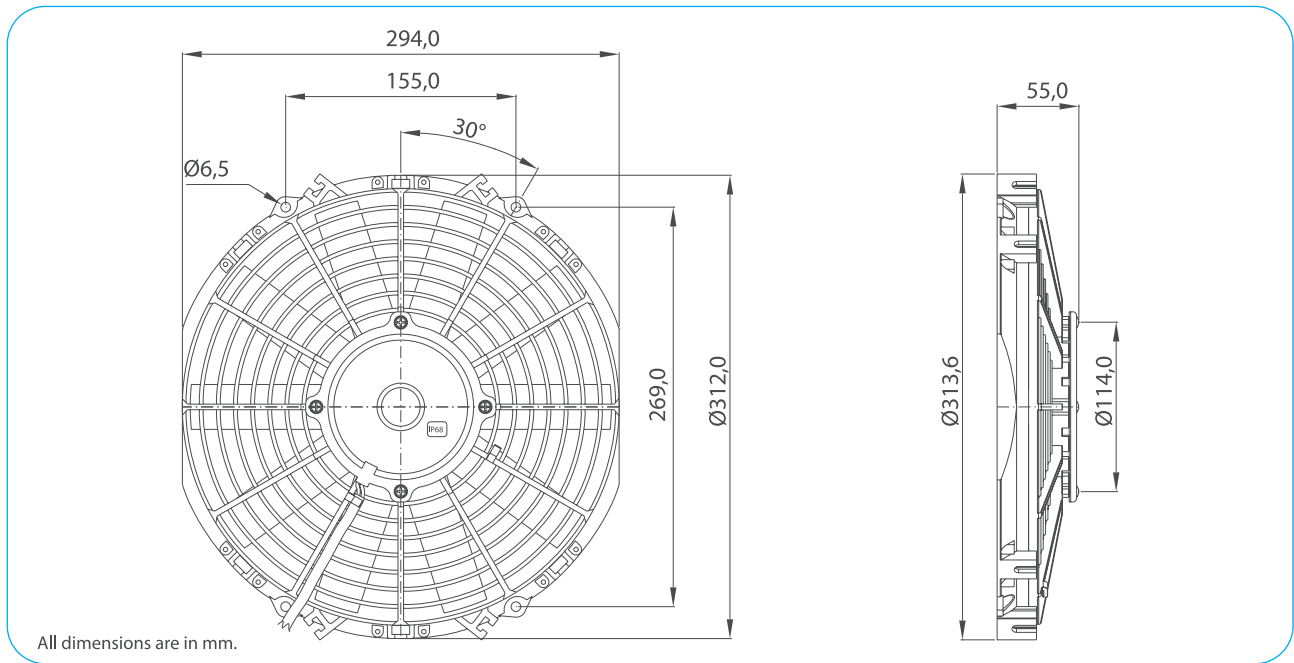


Part Numbers	Specifications	Applications	Features	Options
<b>6402222</b> PULLER / STR. BLADE	<b>DIAMETER 11" (280 mm)</b>	HVAC Systems	Waterproof, IP68 (LL) Long Life High Efficiency	Mounting brackets EMC (Certified) Thermal Protector (ELL) Extreme Long Life
<b>6402223</b> PUSHER / STR. BLADE	<b>LOW PROFILE</b> <b>24V 130W</b>			



Test Voltage	V	26,0
Nominal Current	A	3,4
Nominal Speed	rpm	2.860
Max. St. Pressure	mmH <sub>2</sub> O	24,0
Max. Airflow	m <sup>3</sup> /h	1.550
Weight	kg	1,4



TEST VOLTAGE = 26,0 VDC	Static Pressure	Air Flow Rate	Current
	mm H <sub>2</sub> O	m <sup>3</sup> /h	A
	0,0	1547,3	3,5
	2,5	1450,4	3,6
	5,0	1340,9	3,7
	7,5	1204,6	3,8
	10,0	1016,0	3,9
	12,5	772,8	3,9
	15,0	544,6	3,8
	17,5	401,9	3,8
20,0	279,0	3,9	
23,6	0,0	3,9	

Static Pressure: 1 mm H<sub>2</sub>O = 0,04in H<sub>2</sub>O = 9,8 Pa  
Air Flow Rate: 1 m<sup>3</sup>/h = 0,59 cfm

