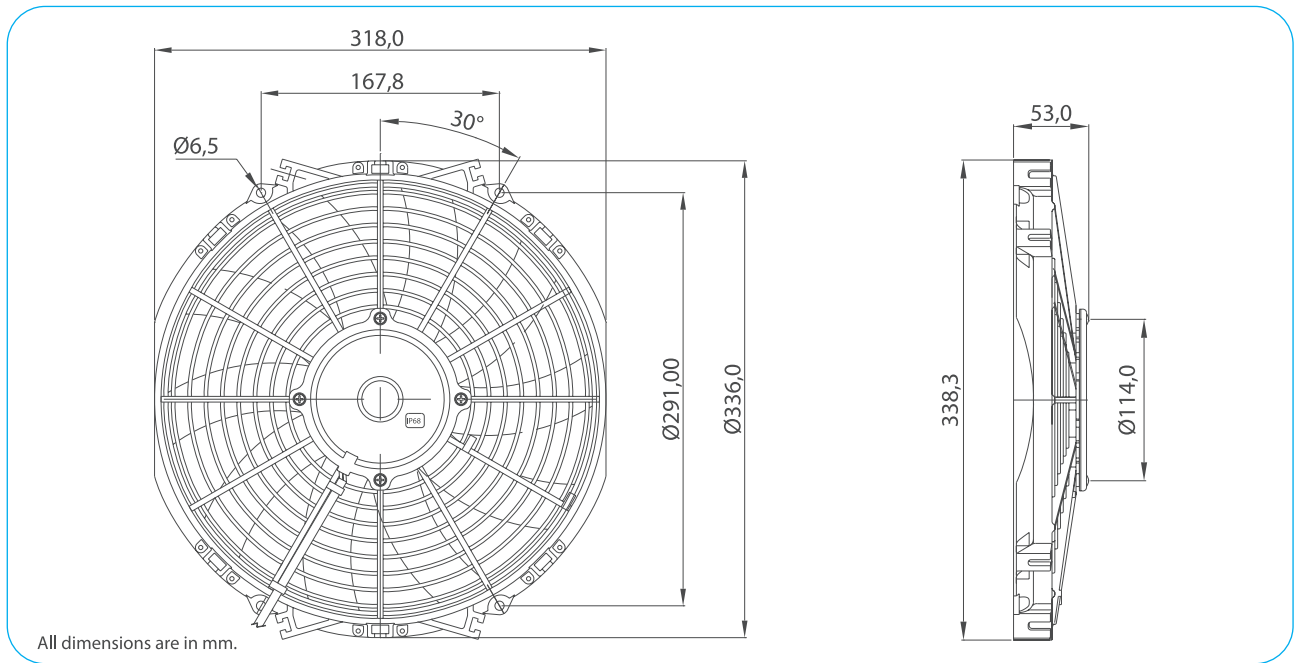


Part Numbers	Specifications	Applications	Features	Options
<b>6402241</b> PULLER / S BLADE	<b>DIAMETER 12" (305 mm)</b>	HVAC Systems	Waterproof, IP68 (LL) Long Life High Efficiency	Mounting brackets EMC (Certified) Thermal Protector (ELL) Extreme Long Life
<b>6402242</b> PUSHER / S BLADE	<b>LOW PROFILE</b> <b>24V 130W</b>			



Test Voltage	V	26,0
Nominal Current	A	3,3
Nominal Speed	rpm	2.570
Max. St. Pressure	mmH <sub>2</sub> O	18,0
Max. Airflow	m <sup>3</sup> /h	1.710
Weight	kg	1,5



TEST VOLTAGE = 26,0 VDC	Static Pressure	Air Flow Rate	Current
	mm H <sub>2</sub> O	m <sup>3</sup> /h	A
	0,0	1707,2	3,2
	2,5	1554,9	3,4
	5,0	1364,2	3,6
	7,5	1081,7	3,7
	10,0	709,4	3,8
	12,5	436,2	3,9
	15,0	254,9	4,0
18,1	0,0	4,3	

Static Pressure: 1 mm H<sub>2</sub>O = 0,04in H<sub>2</sub>O = 9,8 Pa  
Air Flow Rate: 1 m<sup>3</sup>/h = 0,59 cfm

