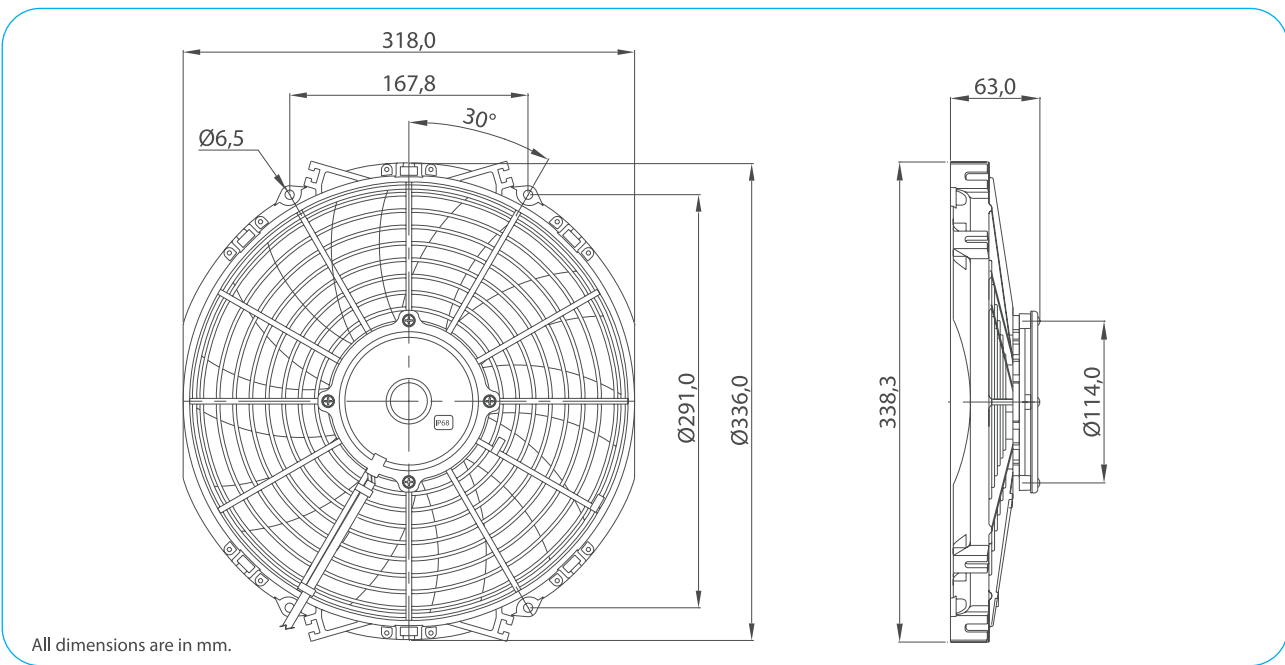


Part Numbers	Specifications	Applications	Features	Options
<b>6401287</b> PULLER / S BLADE	<b>DIAMETER 12" (305 mm)</b>	HVAC Systems	Waterproof, IP68 (LL) Long Life High Efficiency	Mounting brackets EMC (Certified) Thermal Protector (ELL) Extreme Long Life
<b>6402246</b> PUSHER / S BLADE	<b>LOW PROFILE</b> <b>12V 160W</b>			



Test Voltage	V	13,0
Nominal Current	A	13,0
Nominal Speed	rpm	3.250
Max. St. Pressure	mmH <sub>2</sub> O	30,0
Max. Airflow	m <sup>3</sup> /h	2.300
Weight	kg	1,8



TEST VOLTAGE = 13,0 VDC	Static Pressure	Air Flow Rate	Current
	mm H <sub>2</sub> O	m <sup>3</sup> /h	A
	0,0	2295,0	12,6
	2,5	2174,1	13,5
	5,0	2078,3	14,3
	7,5	2008,6	15,0
	10,0	1821,4	15,2
	15,0	1043,5	14,5
	20,0	668,2	15,3
	25,0	261,2	15,3
30,0	0,0	16,2	

Static Pressure: 1 mm H<sub>2</sub>O = 0,04in H<sub>2</sub>O = 9,8 Pa  
Air Flow Rate: 1 m<sup>3</sup>/h = 0,59 cfm

