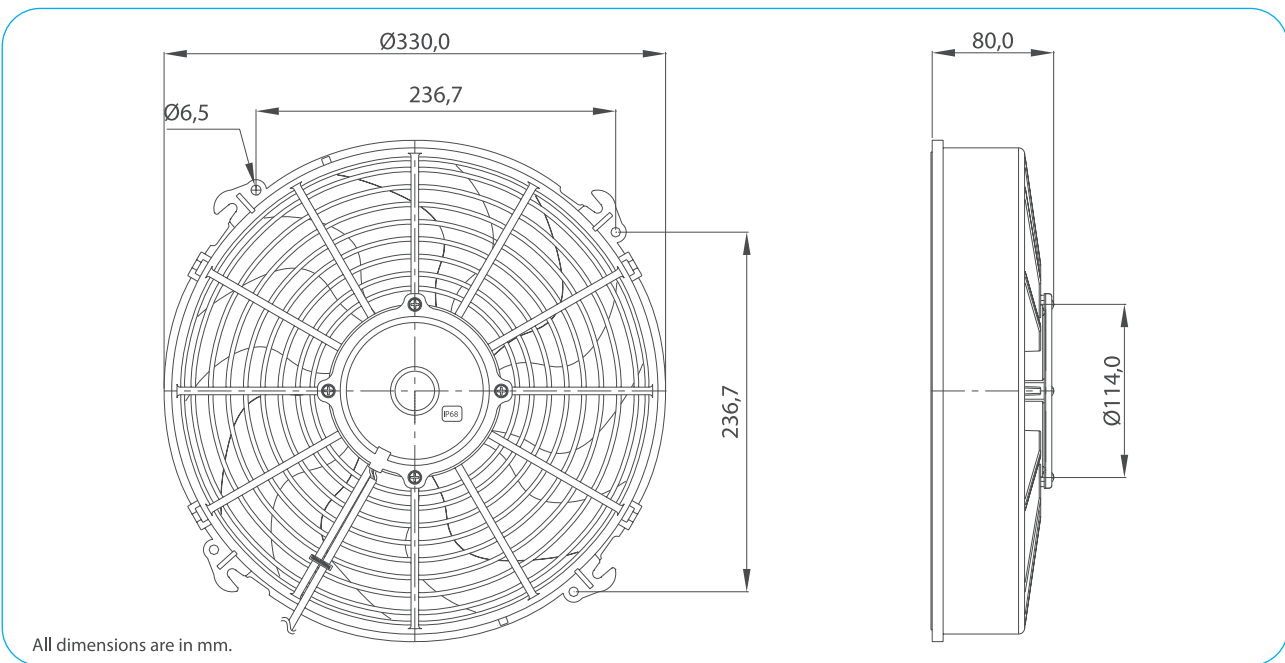


Part Numbers	Specifications	Applications	Features	Options
6403497 PULLER / S BLADE	DIAMETER 12" (305 mm)	HVAC Systems	Waterproof, IP68 (LL) Long Life High Efficiency	Mounting brackets EMC (Certified) Thermal Protector (ELL) Extreme Long Life
6403498 PUSHER / S BLADE	HIGH PROFILE 12V 225W			



Test Voltage	V	13,0
Nominal Current	A	16,0
Nominal Speed	rpm	3.250
Max. St. Pressure	mmH ₂ O	44,5
Max. Airflow	m ³ /h	2.600
Weight	kg	2,5



All dimensions are in mm.

TEST VOLTAGE = 13,0 VDC	Static Pressure	Air Flow Rate	Current
	mm H ₂ O	m ³ /h	A
	0,0	2601,3	15,8
	5,0	2417,0	16,8
	10,0	2233,5	17,7
	15,0	2000,8	18,3
	20,0	1612,1	18,7
	25,0	937,9	18,9
	30,0	429,5	20,0
	35,0	300,4	22,4
40,0	198,4	25,2	
44,7	0,0	28,0	

Static Pressure: 1 mm H₂O = 0,04in H₂O = 9,8 Pa
Air Flow Rate: 1 m³/h = 0,59 cfm

