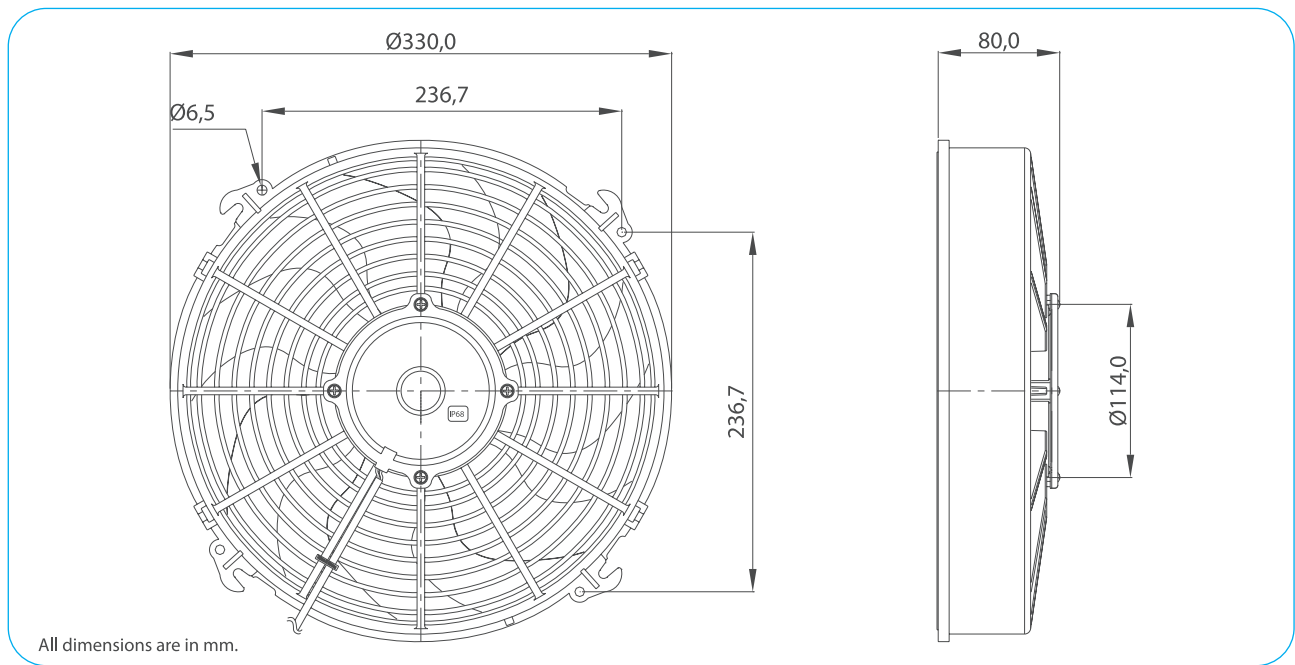


Part Numbers	Specifications	Applications	Features	Options
<b>6403469</b> PULLER / S BLADE	<b>DIAMETER 12" (305 mm)</b>	HVAC Systems	Waterproof, IP68 (LL) Long Life High Efficiency	Mounting brackets EMC (Certified) Thermal Protector (ELL) Extreme Long Life
<b>6403499</b> PUSHER / S BLADE	<b>HIGH PROFILE</b> <b>24V 225W</b>			



Test Voltage	V	26,0
Nominal Current	A	8,0
Nominal Speed	rpm	3.250
Max. St. Pressure	mmH <sub>2</sub> O	45,0
Max. Airflow	m <sup>3</sup> /h	2.600
Weight	kg	2,5



TEST VOLTAGE = 26,0 VDC	Static Pressure	Air Flow Rate	Current
	mm H <sub>2</sub> O	m <sup>3</sup> /h	A
	0,0	2601,3	7,9
	5,0	2417,0	8,4
	10,0	2233,5	8,8
	15,0	2000,8	9,2
	20,0	1612,1	9,4
	25,0	937,9	9,4
	30,0	429,5	10,0
	35,0	300,4	11,2
40,0	198,4	12,6	
44,7	0,0	14,0	

Static Pressure: 1 mm H<sub>2</sub>O = 0,04in H<sub>2</sub>O = 9,8 Pa  
Air Flow Rate: 1 m<sup>3</sup>/h = 0,59 cfm

