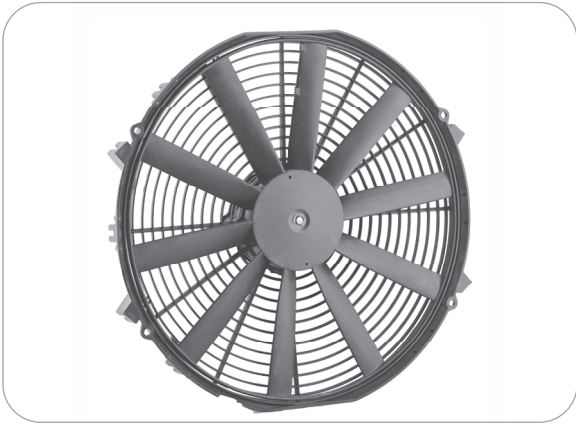
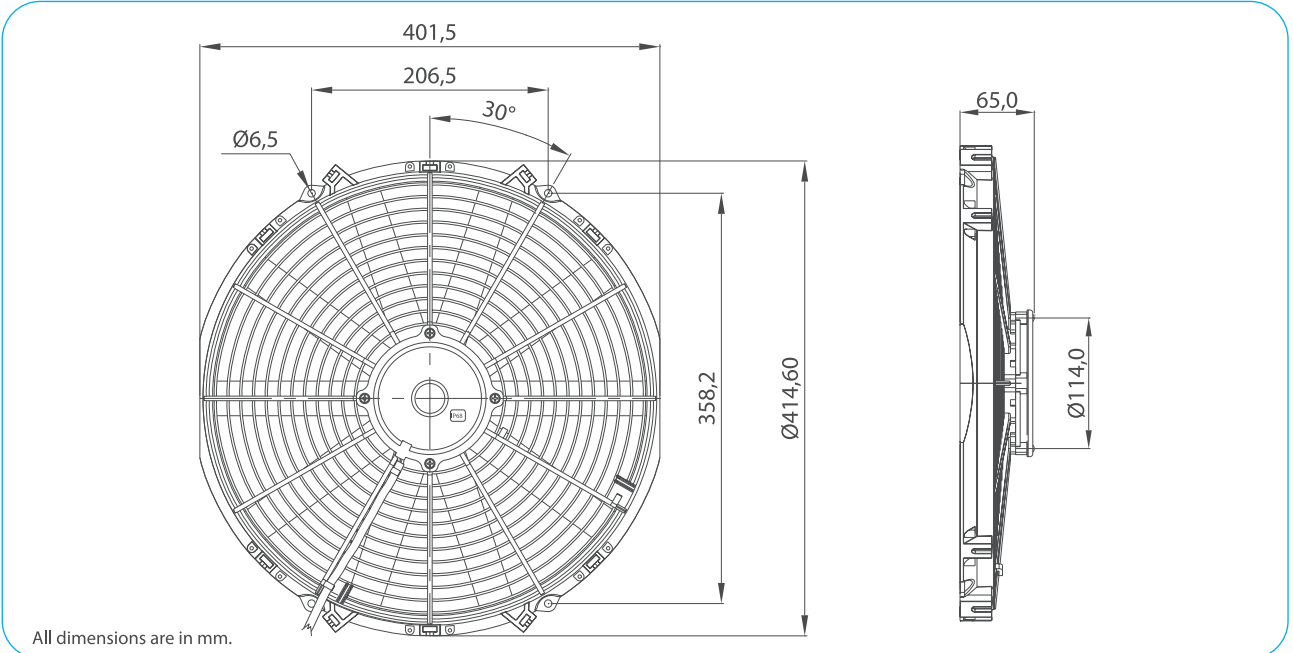


Part Numbers	Specifications	Applications	Features	Options
6402264 PULLER / STR. BLADE	DIAMETER 16" (385 mm)	HVAC Systems	Waterproof, IP68 (LL) Long Life High Efficiency	Mounting brackets EMC (Certified) Thermal Protector (ELL) Extreme Long Life
6401253 PUSHER / STR. BLADE	LOW PROFILE 12V 160W			



Test Voltage	V	13,0
Nominal Current	A	12,5
Nominal Speed	rpm	2.950
Max. St. Pressure	mmH ₂ O	24,5
Max. Airflow	m ³ /h	2.650
Weight	kg	2,0



TEST VOLTAGE = 13,0 VDC

Static Pressure	Air Flow Rate	Current
mm H ₂ O	m ³ /h	A
0,0	2650,1	12,2
2,5	2483,6	12,7
5,0	2295,4	13,2
7,5	2073,2	13,6
10,0	1826,2	13,6
12,5	1528,6	13,2
15,0	1104,2	12,9
17,5	782,1	12,8
20,0	550,3	12,7
24,7	0,0	12,1

Static Pressure: 1 mm H₂O = 0,04in H₂O = 9,8 Pa
Air Flow Rate: 1 m³/h = 0,59 cfm

